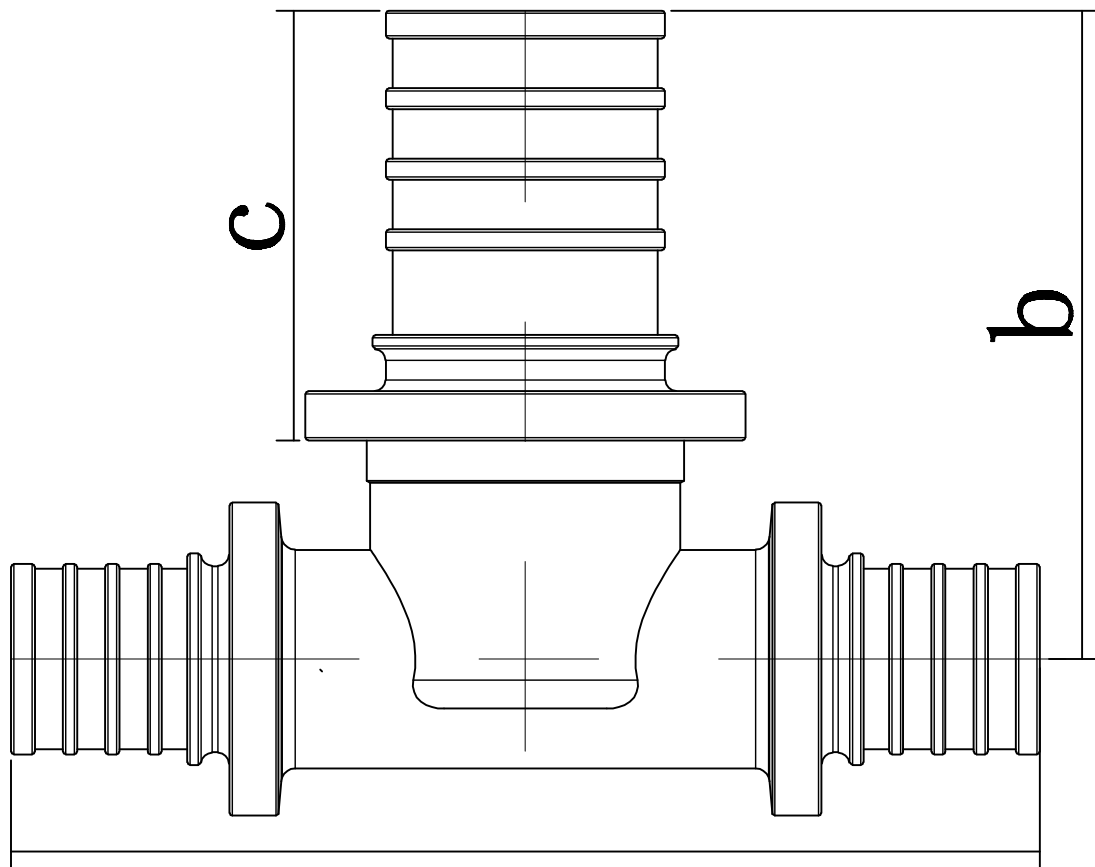


DN1



DN2

DN3

a

c

b